

Серия Н1 прозрачный держатель "цилиндр"

на светодиодах Emitter



10°



20°



30°



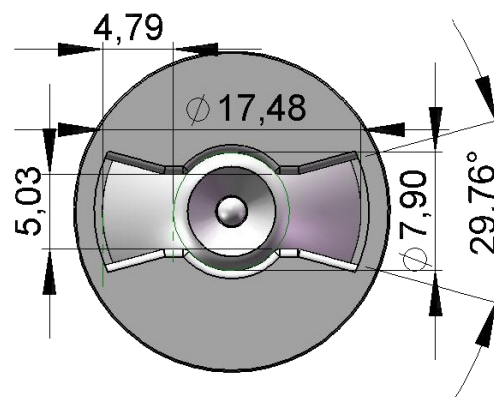
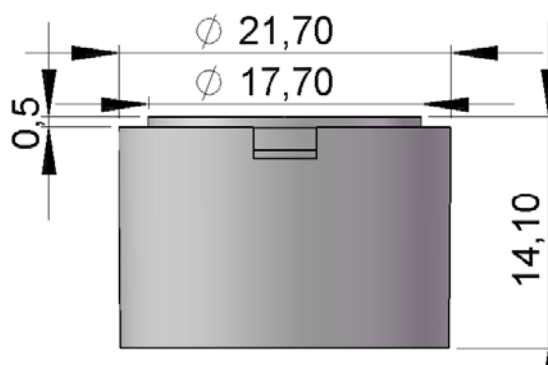
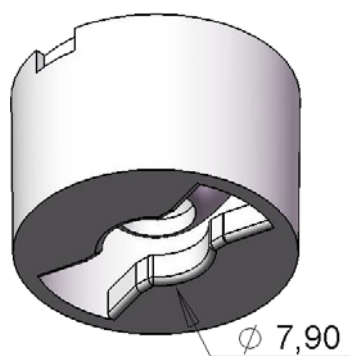
45°



60°

Наименование	Угол
Линза 10DH1T (10°, Emitter, water)	10°
Линза 20DH1T (20°, Emitter, water)	20°
Линза 30DH1T (30°, Emitter, water)	30°
Линза 45DH1T (45°, Emitter, water)	45°
Линза 60DH1T (60°, Emitter, water)	60°

Габариты



General info

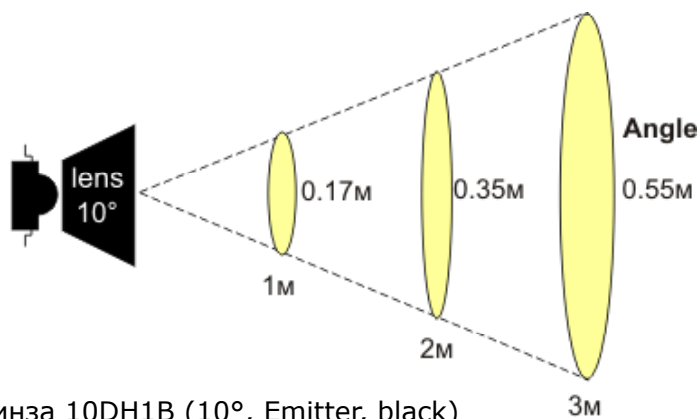
Lens

- Street Lighting
- Office Lighting
- Home Lighting
- Stage Lighting
- Architectural Lighting
- Down Light Lighting
- Decorative Lighting
- Lens Material Optical Grade Best Available Optical Efficiency
- Lens Material with high UV & Temperature Resistance $-40^{\circ}\text{C} \sim +100^{\circ}\text{C}$
- Lens Material Light Transmittance High Productivity with 2mm Thickness

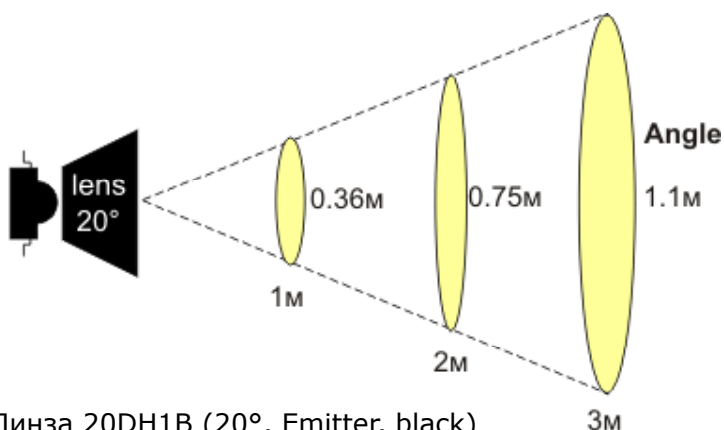
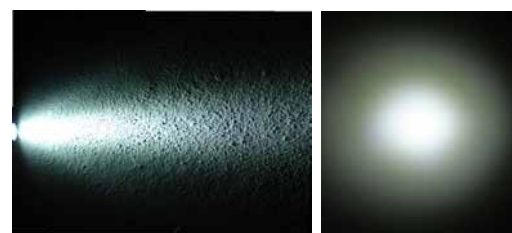
Lens with Housing

- Holder Colour — Black ----- White
- Holder Material Operating Temperature $-40^{\circ}\text{C} \sim +120^{\circ}\text{C}$
- Holder Material PCV2 & R O H S - Flama : High Heat Resistance
- Holder Material - UV Allows use of High Current and Temperature Conditions
- If you Decide to use Glue only, Please Take Special Care of Correct Positioning

Lighting parameters

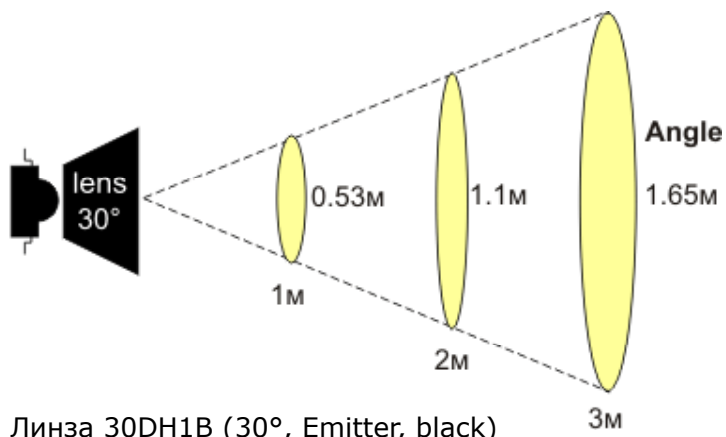


Линза 10DH1B (10°, Emitter, black)

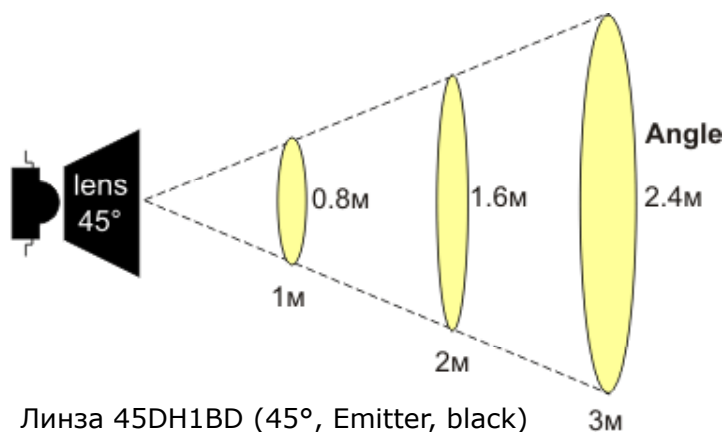


Линза 20DH1B (20°, Emitter, black)

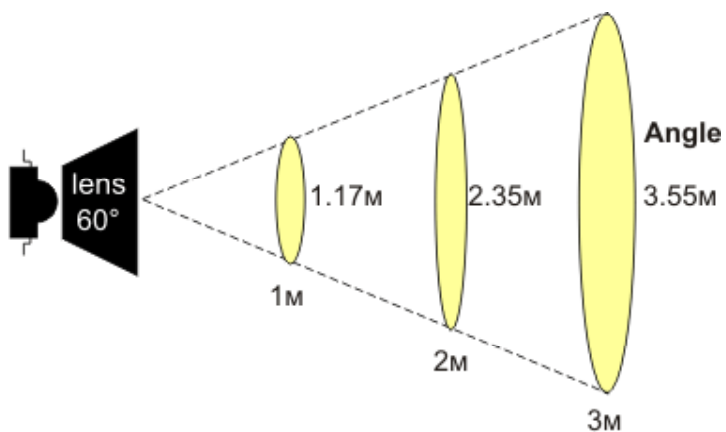




Линза 30DH1B (30°, Emitter, black)



Линза 45DH1BD (45°, Emitter, black)



Линза 60DH1BF (60°, Emitter, black)

